

## BCH100A / BCH103A Fiber Coupled Cuvette Holder



BCH100A & BCH103A series cuvette sample holders are designed for fiber optic illumination/detection coupling and ease of sample handling. It holds a standard 12.5 x 12.5 mm cuvette for liquid or powder sample transmittance and absorbance with proper spectrometer and light source setup. The cuvette sample holder provides 2 or 3 SMA 905 fiber couplers; together with BPS and BDS series fiber coupled light sources, this is ideal for use with B&W Tek's BRC and BTC series array spectrometers. The BCH100A comes with two ports (straight through) and the BCH103A includes an additional port for right angle (with respect to the illuminations) detection which is ideal for fluorescence applications.

### Highlights:

- Fiber Coupled
- 2 or 3 Port Configurations
- Compact
- Mounting Holes
- Spring-loaded Cuvette Holder

### Applications:

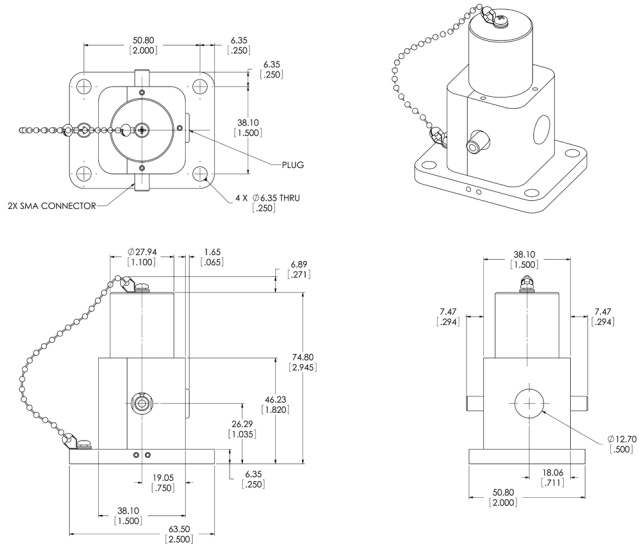
- **Absorbance**
- **Transmittance**
- **Fluorescence**

### Specifications:

Number of Ports:	Two or three depending on model
Port Geometry:	Straight through for two port configuration 90° for the optional third port
Path Length:	Max. 10mm (0.4 inches)
Cuvette Size:	12.5 x 12.5mm (0.5 inches)
Sampling Beam Size:	5.5mm diameter (0.2 inches)
Sampling Beam Center Height:	26.29mm (1.0 inches)
Wavelength Spectral Range:	190 - 2100 nm (7.5 - 82.7 inches)
Fiber Light Coupling:	SMA 905
Operating Temperature	0 - 70°C
Humidity Range	0 - 85% RH Non-condensing

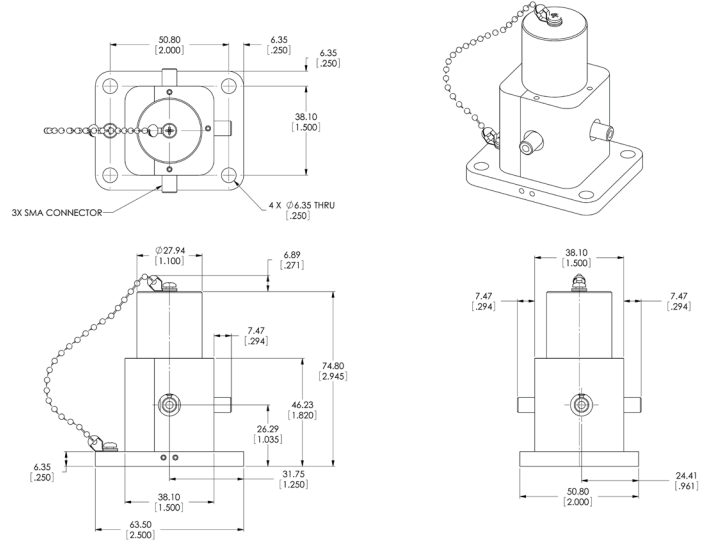
## Dimensions BCH100A:

UNIT: MM[INCH]

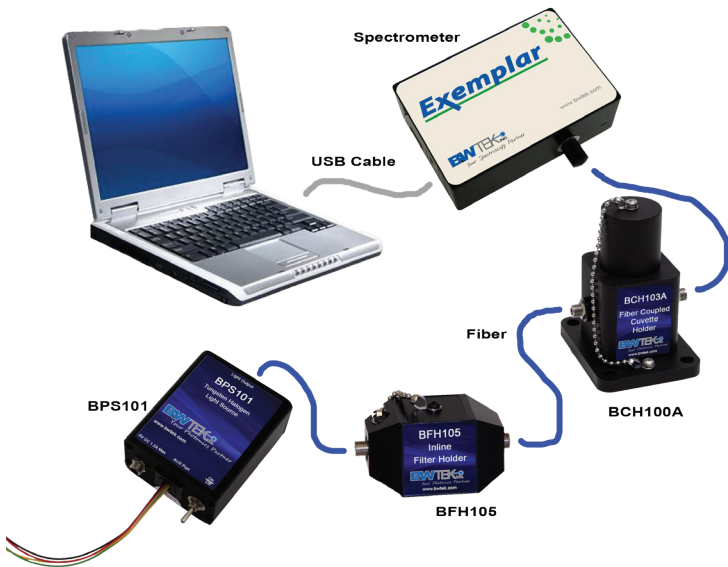


## Dimensions BCH103A:

UNIT: MM[INCH]



## Transmission / Absorption Experiment Setup:



## Fluorescence Experiment Setup:

