

## BPS101 Tungsten Halogen Light Source



The BPS101 is a low-cost high-performance constant current light source which uses a replaceable Tungsten Halogen bulb rated for 10,000 hours. This device uses a constant current setting which provides precision current control, allowing for stable performance.

A remote control port is provided on the rear for versatile remote on/off modulation, operating current monitoring and external operating current control. Slow ramp start is built into the source to ensure stability and long-life operation. The BPS101 features an SMA905 connector for fiber coupling. No fiber alignment is necessary, which is ideal for visible and near IR spectroscopic applications.

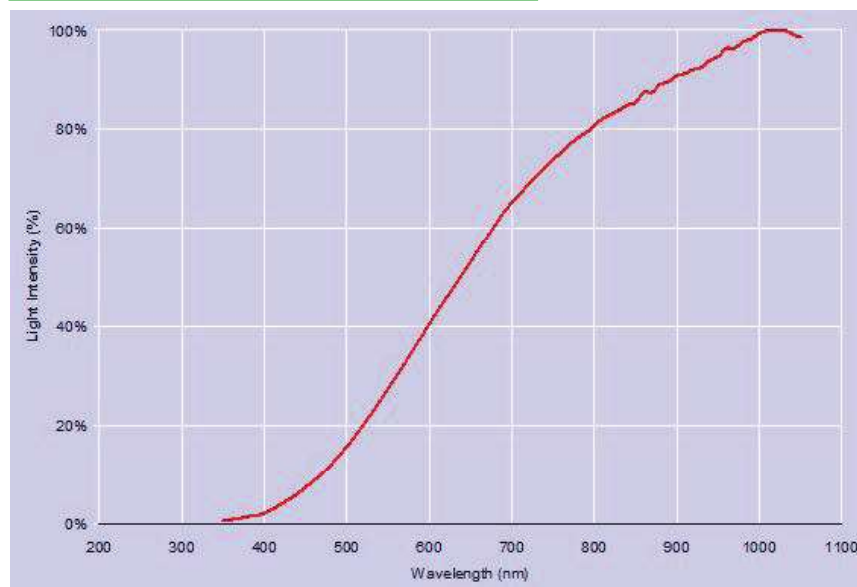
### Features:

- Spectral Range 350nm to > 2600nm
- Compact & Lightweight
- Constant Current
- 10,000 Hour Rating
- 2800 K Color Temperature

### Applications:

- Transmission
- Absorption
- Reflectance

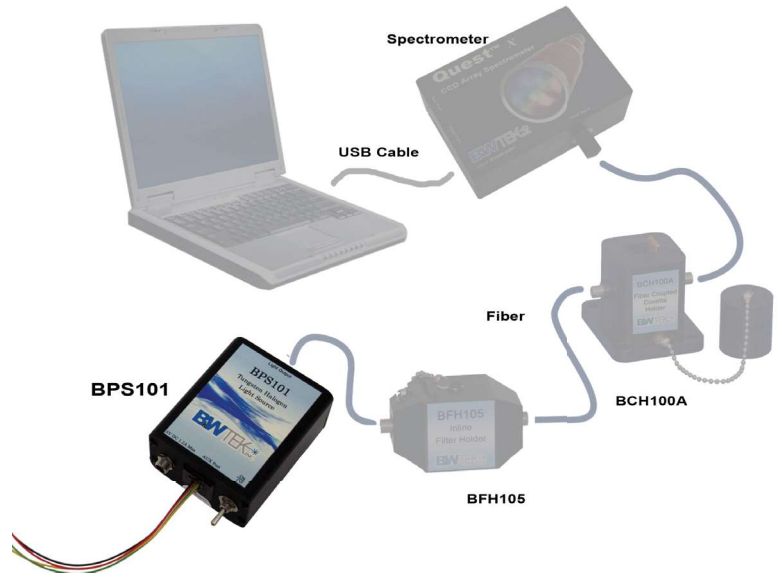
### Typical Relative Spectral Intensity:



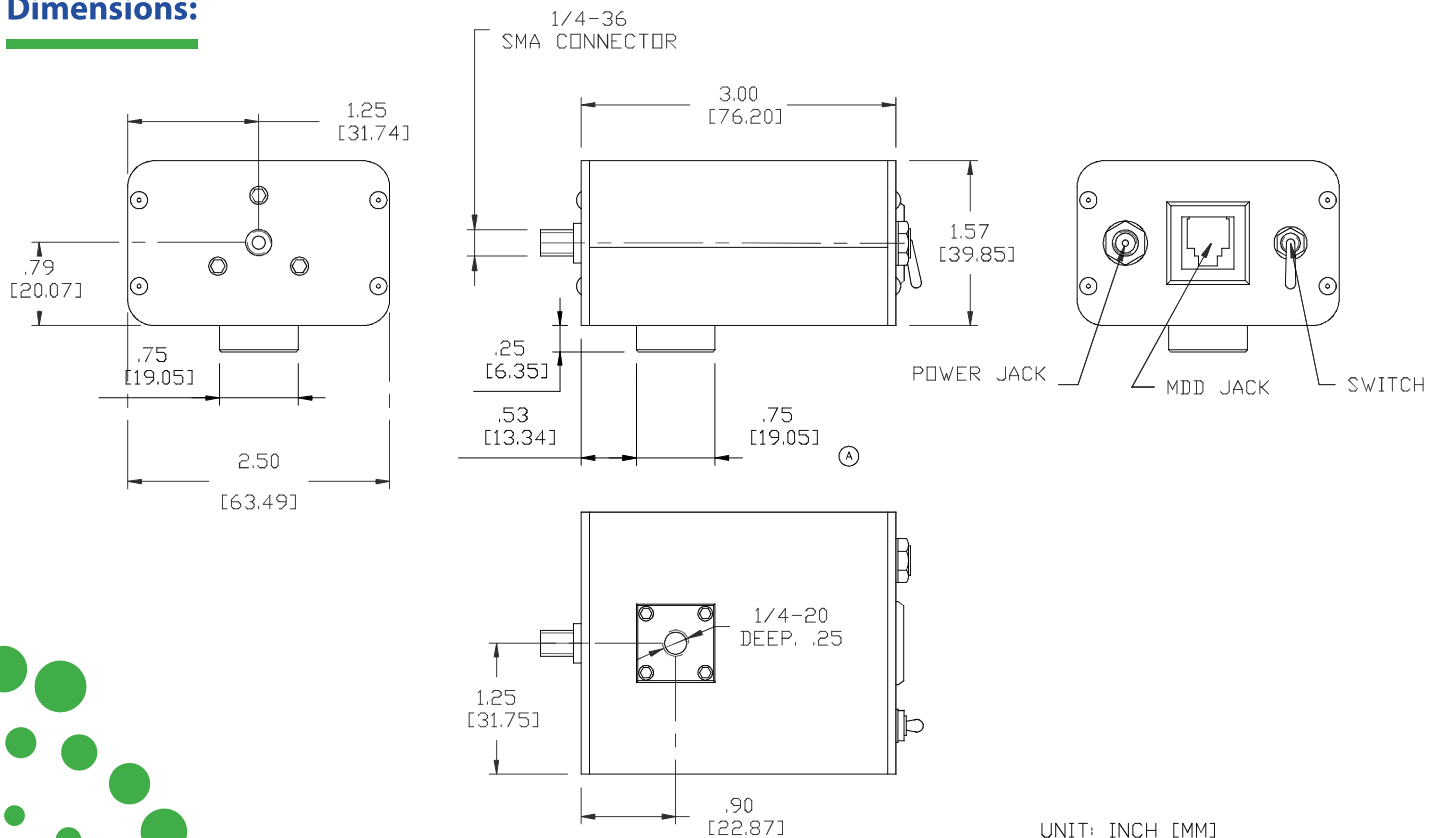
## Specifications:

Light Source	Tungsten Halogen Lamp
Spectral Output Range	350nm to > 2600nm
Color Temperature	2800K
Lamp Ratings	6 V DC @ < 1.1 A
Rated Life	10,000 hours
Light Coupling	SMA905
Modulation Port	4 Pin RJ11 Connector
Control Functions	Modulation, On/Off, Current Monitoring
Modulation Input	DC 0-2.6 V to Set Output Power
Digital Modulation	TTL Logic Input, 'Low' or 'High' up to 100 Hz
Current Monitoring	DC Output 0 - 1 V Corresponding with 0-1A Lamp Current
Max Dimensions	4.0in x 2.5in x 1.6in (10.16cm x 6.35cm x 4.06cm)
Weight	0.5lbs (0.23kg)
Operating Temperature	0° - 40°C
Relative Humidity	0-85% RH Non-condensing
AC Adapter Input	100-240 V AC (50 - 60 Hz)
Power Supply Output	6 V DC +/- 2.5% @ 2.0 A
Output Current Stability	+/- 0.1%

## Transmission / Absorption Experiment Setup



## Dimensions:



## BPS2.0 Tungsten Halogen Light Source



The BPS2.0 is a low-cost high-performance constant current light source which uses a replaceable Tungsten Halogen bulb rated for 2000 hours. This device uses a constant current setting which provides precision current control allowing for stable performance.

A remote control port is provided on the rear for versatile remote on/off modulation, operating current monitoring and external operating current control. Slow ramp start is built into the source to ensure stability and long-life operation. The BPS2.0 features an SMA905 connector for fiber coupling. No fiber alignment is necessary, which is ideal for visible and near IR spectroscopic applications.

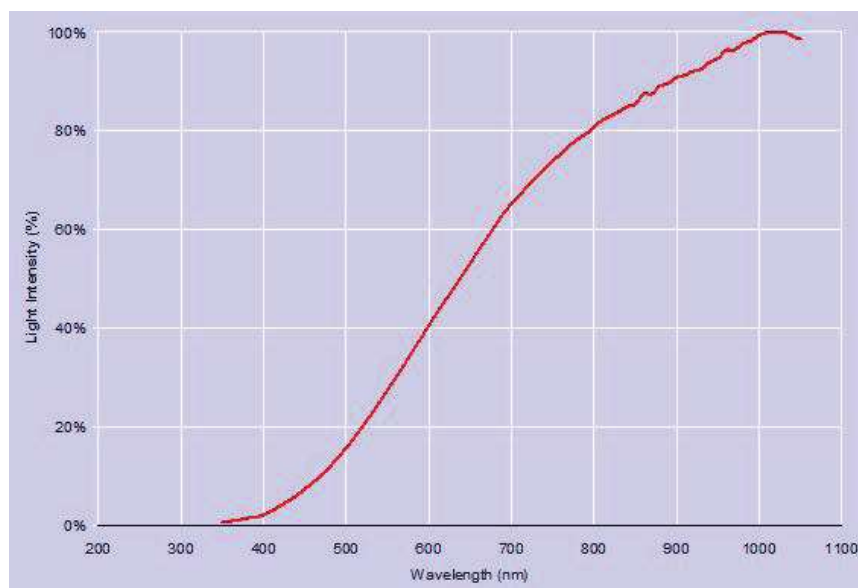
### Features:

- Spectral Range 350nm to > 2600nm
- Compact & Lightweight
- Constant Current
- 2000 Hour Rating
- 2900 K Color Temperature
- Aux Port

### Applications:

- Transmission
- Absorption
- Reflectance

### Typical Relative Spectral Intensity:



## Specifications:

Light Source	Tungsten Halogen Lamp
Spectral Output Range	350nm to > 2600nm
Color Temperature	2900K
Lamp Ratings	12V DC @ 2.5 A
Rated Life	2000 Hours
Light Coupling	SMA905
Modulation Port	4 pin RJ11 Connector
Control Functions	Modulation, On/Off, Current Monitoring
Modulation Input	0 - 2.6 VDC to set output power
Digital Modulation	TTL Up to 100 KHz
Current Monitoring	DC Output 0 - 1 V Corresponding to 0-1 A
Max Dimensions	4.7in x 3.15in x 2.64in (120.5mm x 80mm x 67mm)
Weight	0.5lbs (0.23kg)
Relative Humidity	0 - 85% RH Non-condensing
Operating Temperature	0° - 40°C
AC Adapter Input	100 - 240 VAC 50/60 Hz
AC Adapter Output	12V DC +/- 2.5% @ 2.5 Amps Max
Output Current Stability	+/- 0.1%

## Transmission / Absorption Experiment Setup:



## Dimensions:

Units: mm

