

BCR100A Raman Cuvette Holder



The BCR100A cuvette holder is designed for Raman sampling and holds a standard 12.5mm x 12.5mm cuvette for measurements of liquid or powder samples. The cuvette holder is designed to work with B&W Tek, Inc. Raman probes by providing a stop to prevent the probe shaft from hitting the cuvette and by providing an excitation light trap to reduce background fluorescence.

The BCR100A-9.5mm cuvette holder is designed for lab grade probes with a 9.5mm shaft diameter.

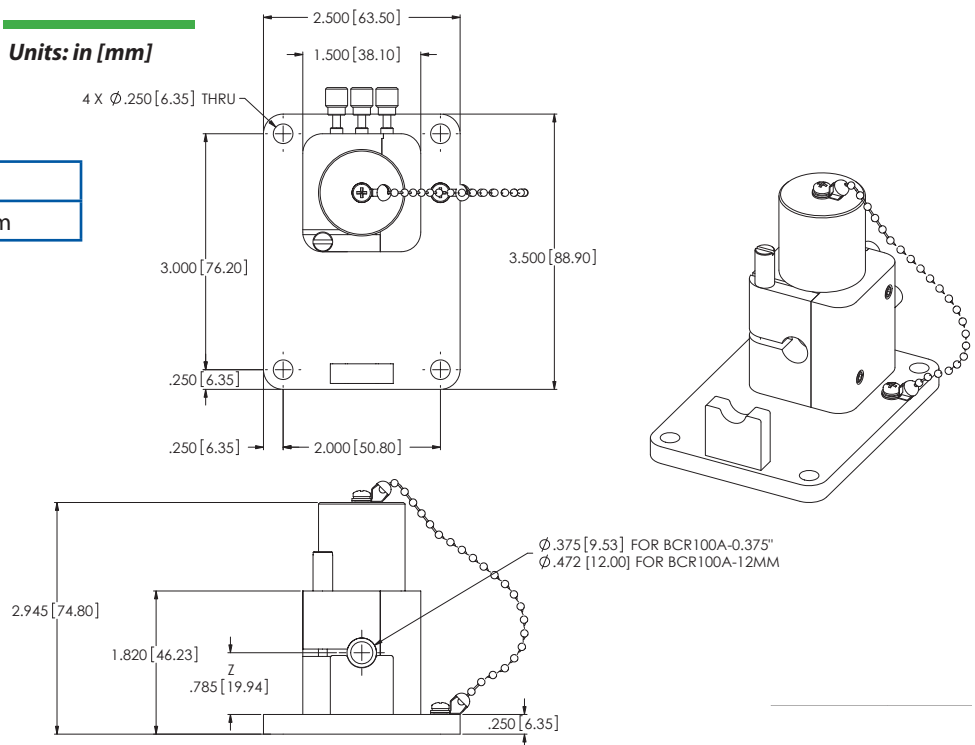
The BCR100A-12mm cuvette holder is designed for industrial grade probes with a 12mm shaft diameter.

Features:

- Concave Spherical Mirror Design (Significantly enhances the Raman signal)
- Light Trap (Reduces background fluorescence)
- Probe Shaft Stop & Clamp
- High Position Repeatability

Dimensions:

Units: in [mm]



Specifications:

Probe Port Diameter:	9.5mm or 12mm
Cuvette Size:	12.5mm x 12.5mm